

CDX-CA600/CA600X

SERVICE MANUAL

Ver 1.0 2001.12



Photo: CDX-CA600X

AEP Model
UK Model
CDX-CA600/CA600X
E Model
CDX-CA600X

* The tuner and CD sections have no adjustments.

Model Name Using Similar Mechanism	CDX-L3001450X
CD Drive Mechanism Type	MG-3939A-1211K
Optical Pick-up Name	K59-720A

SPECIFICATIONS

CD player section

Disc format format 12" 90mm disc

Frequency response 20 - 20,000 Hz

Wow and flutter Below reproducible limit

Time error 0.001 sec

Wow and flutter 0.001 sec

Time error 0.001 sec

Wow and flutter 0.001 sec

Time error 0.001 sec

Wow and flutter 0.001 sec

Time error 0.001 sec

Wow and flutter 0.001 sec

Time error 0.001 sec

Wow and flutter 0.001 sec

Time error 0.001 sec

Wow and flutter 0.001 sec

Time error 0.001 sec

Wow and flutter 0.001 sec

Time error 0.001 sec

Wow and flutter 0.001 sec

Time error 0.001 sec

Wow and flutter 0.001 sec

Time error 0.001 sec

Wow and flutter 0.001 sec

Time error 0.001 sec

Wow and flutter 0.001 sec

Time error 0.001 sec

Wow and flutter 0.001 sec

Time error 0.001 sec

Wow and flutter 0.001 sec

Time error 0.001 sec

Wow and flutter 0.001 sec

Time error 0.001 sec

Wow and flutter 0.001 sec

Time error 0.001 sec

Wow and flutter 0.001 sec

Time error 0.001 sec

Wow and flutter 0.001 sec

Time error 0.001 sec

Wow and flutter 0.001 sec

Time error 0.001 sec

Wow and flutter 0.001 sec

Time error 0.001 sec

Wow and flutter 0.001 sec

Time error 0.001 sec

Wow and flutter 0.001 sec

Time error 0.001 sec

Wow and flutter 0.001 sec

Time error 0.001 sec

Wow and flutter 0.001 sec

Time error 0.001 sec

Wow and flutter 0.001 sec

Time error 0.001 sec

Wow and flutter 0.001 sec

Time error 0.001 sec

Wow and flutter 0.001 sec

Time error 0.001 sec

Wow and flutter 0.001 sec

Time error 0.001 sec

Wow and flutter 0.001 sec

Time error 0.001 sec

Wow and flutter 0.001 sec

Time error 0.001 sec

Wow and flutter 0.001 sec

Time error 0.001 sec

Wow and flutter 0.001 sec

Time error 0.001 sec

Wow and flutter 0.001 sec

Time error 0.001 sec

Wow and flutter 0.001 sec

Time error 0.001 sec

Wow and flutter 0.001 sec

Time error 0.001 sec

Wow and flutter 0.001 sec

Time error 0.001 sec

Wow and flutter 0.001 sec

Time error 0.001 sec

Wow and flutter 0.001 sec

Time error 0.001 sec

Wow and flutter 0.001 sec

Time error 0.001 sec

Wow and flutter 0.001 sec

Time error 0.001 sec

Wow and flutter 0.001 sec

Time error 0.001 sec

Wow and flutter 0.001 sec

Time error 0.001 sec

Wow and flutter 0.001 sec

Time error 0.001 sec

Wow and flutter 0.001 sec

Time error 0.001 sec

Wow and flutter 0.001 sec

Time error 0.001 sec

Wow and flutter 0.001 sec

Time error 0.001 sec

Wow and flutter 0.001 sec

Time error 0.001 sec

Wow and flutter 0.001 sec

Time error 0.001 sec

Wow and flutter 0.001 sec

Time error 0.001 sec

Wow and flutter 0.001 sec

Time error 0.001 sec

Wow and flutter 0.001 sec

Time error 0.001 sec

Wow and flutter 0.001 sec

Time error 0.001 sec

Wow and flutter 0.001 sec

Time error 0.001 sec

Wow and flutter 0.001 sec

Time error 0.001 sec

Wow and flutter 0.001 sec

Power amplifier section

Output 40W x 2

Speaker impedance 4, 8, 16 Ohm

Maximum power output 20W x 2 (4 Ohm)

Distortion 0.05% (1 kHz, 100mV)

Frequency response 20 - 20,000 Hz

Wow and flutter 0.001 sec

Time error 0.001 sec

Wow and flutter 0.001 sec

Time error 0.001 sec

Wow and flutter 0.001 sec

Time error 0.001 sec

Wow and flutter 0.001 sec

Time error 0.001 sec

Wow and flutter 0.001 sec

Time error 0.001 sec

Wow and flutter 0.001 sec

Time error 0.001 sec

Wow and flutter 0.001 sec

Time error 0.001 sec

Wow and flutter 0.001 sec

Time error 0.001 sec

Wow and flutter 0.001 sec

Time error 0.001 sec

Wow and flutter 0.001 sec

Time error 0.001 sec

Wow and flutter 0.001 sec

Time error 0.001 sec

Wow and flutter 0.001 sec

Time error 0.001 sec

Wow and flutter 0.001 sec

Time error 0.001 sec

Wow and flutter 0.001 sec

Time error 0.001 sec

Wow and flutter 0.001 sec

Time error 0.001 sec

Wow and flutter 0.001 sec

Time error 0.001 sec

Wow and flutter 0.001 sec

Time error 0.001 sec

Wow and flutter 0.001 sec

Time error 0.001 sec

Wow and flutter 0.001 sec

Time error 0.001 sec

Wow and flutter 0.001 sec

Time error 0.001 sec

Wow and flutter 0.001 sec

Time error 0.001 sec

Wow and flutter 0.001 sec

Time error 0.001 sec

Wow and flutter 0.001 sec

Time error 0.001 sec

Wow and flutter 0.001 sec

Time error 0.001 sec

Wow and flutter 0.001 sec

Time error 0.001 sec

Wow and flutter 0.001 sec

Time error 0.001 sec

Wow and flutter 0.001 sec

Time error 0.001 sec

Wow and flutter 0.001 sec

Time error 0.001 sec

Wow and flutter 0.001 sec

Time error 0.001 sec

Wow and flutter 0.001 sec

Time error 0.001 sec

Wow and flutter 0.001 sec

Time error 0.001 sec

Wow and flutter 0.001 sec

Time error 0.001 sec

Wow and flutter 0.001 sec

Time error 0.001 sec

Wow and flutter 0.001 sec

Time error 0.001 sec

Wow and flutter 0.001 sec

Time error 0.001 sec

Wow and flutter 0.001 sec

Time error 0.001 sec

Wow and flutter 0.001 sec

Time error 0.001 sec

Wow and flutter 0.001 sec

Time error 0.001 sec

Wow and flutter 0.001 sec

Time error 0.001 sec

Wow and flutter 0.001 sec

Time error 0.001 sec

Wow and flutter 0.001 sec

Time error 0.001 sec

Wow and flutter 0.001 sec

Time error 0.001 sec

Wow and flutter 0.001 sec

Time error 0.001 sec

Wow and flutter 0.001 sec

Time error 0.001 sec

Wow and flutter 0.001 sec

Time error 0.001 sec

Wow and flutter 0.001 sec

Time error 0.001 sec

Wow and flutter 0.001 sec

Time error 0.001 sec

Wow and flutter 0.001 sec

Time error 0.001 sec

Wow and flutter 0.001 sec

Time error 0.001 sec

Wow and flutter 0.001 sec

Time error 0.001 sec

Wow and flutter 0.001 sec

Time error 0.001 sec

Wow and flutter 0.001 sec

Time error 0.001 sec

Wow and flutter 0.001 sec

Time error 0.001 sec

FM/MW/LW COMPACT DISC PLAYER

9-873-034-01 Sony Corporation
2001010420.1 Vehicle Company
© 2001. 12 Published by Sony Engineering Corporation

SONY

File Name: Ca600 manual.pdf

Size: 2511 KB

Type: PDF, ePub, eBook

Category: Book

Uploaded: 5 May 2019, 19:42 PM

Rating: 4.6/5 from 835 votes.

Download Now!

Please check the box below to proceed.



I'm not a robot



reCAPTCHA
Privacy - Terms

Book Descriptions:

Ca600 manual



See compatible TVs Support Support Support My Sony Community Stay informed with a Sony account to get news, offers and promotions. Sign up now Hi My Sony Sign in Favourites My Products Register a new product My Account Details Newsletter Preferences Community Favourites Sign out Favourites Search Sony Sony Sites Search Sony To get the full experience on Sony.co.uk, please change your settings to allow JavaScript. How do I reset my car stereo. How to connect a Bluetooth device to your Car Audio System View All Find information and receive instant notifications about your product We recommend downloading and installing the latest version of one of the following browsers Our site is not optimized for your current browser. A newer version of your browser may be available Chrome Chrome Download the latest version IE Internet Explorer Download the latest version Firefox Firefox Download the latest version Apple Safari Download the latest version Proceed with current browser for now Proceed with current browser for now. To get the full experience on Sony.co.uk, please change your settings to allow JavaScript. How do I reset my car stereo. How to find your model name View All Find information and receive instant notifications about your product. FeaturesWARNING Read instructions completely before installation and retain for future reference. WARNING Consult a qualified electrician for installation and operation. CAUTION To avoid overheating and possible damage to this device and connected equipment, do notCAUTION For Incandescent Only USE WITH INCANDESCENT OR 120V HALOGEN FIXTURES ONLY.For remote operation, use standard 3way or 4way electrical devices forSpecifications. SinglePole One LocationOperating Temperature Range. Power Consumption 2.0W Max. DimmingRatings. Maximum Wattage 600W. Minimum Wattage 40W. Colors. Includes white, ivory, and light almondConnections. BlackLine, BlueLoad, RedTraveler. GreenGround. RF Information. Minimum RangeFrequency 908.42 MHz.<http://www.rocksoliddesigns.biz/userfiles/deutz-f2l511-service-manual-pdf.xml>

- **ca 600 manual, intermatic ca600 manual, pioneer ca600 manual, siemens ca600 manual, sgx-ca600 manual, yamaha ca 600 manual, sysmex ca 600 manual, balmoral ca600 manual, pioneer sgx-ca600 manual, ca600 manual, ca600 manual.**

SERVICE NOTES

NOTES ON HANDLING THE OPTICAL PICK-UP BLOCK OR BASE UNIT

The laser diode in the optical pick-up block may suffer electrostatic breakdown because of the potential difference generated by the charged electrostatic load, etc. on clothing and the human body. During repair, pay attention to electrostatic breakdown and also use the procedure in the printed matter which is included in the repair parts. The flexible board is easily damaged and should be handled with care.

NOTES ON LASER DIODE EMISSION CHECK

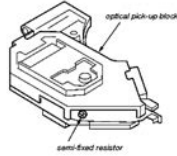
The laser beam on this model is concentrated so as to be focused on the disc reflective surface by the objective lens in the optical pick-up block. Therefore, when checking the laser diode emission, observe from more than 30 cm away from the objective lens.

Notes on Chip Component Replacement

- Never reuse a disconnected chip component.
- Notice that the mirror side of a tantalum capacitor may be damaged by heat.
- CDX-CA600/CA600X: AEP, UK model

CAUTION
Use of controls or adjustments or performance of procedures other than those specified herein may result in hazardous radiation exposure.

If the optical pick-up block is defective, please replace the whole optical pick-up block.
Never turn the semi-fixed resistor located at the side of optical pick-up block.



TEST DISCS

This set can playback CD-R and CD-RGM discs. The following test discs should be used to check the capability.

- CD-R test disc: TCD-MSFLMT (Part No. J-2502-063-1)
- CD-RW test disc: TCD-WORZL (Part No. J-2502-063-2)

NOTES ON CD-R/CD-RW DISCS

- You can play CD-Rs (rewritable CD)/CD-RWs (rewritable CD) designed for audio use on this unit. Look for these marks to distinguish CD-R/CD-RWs for audio use.

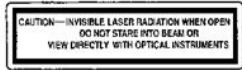


These marks denote that a disc is not for audio use.

- Some CD-R/CD-RWs (depending on the equipment used for its recording or the condition of the disc) may not play on this unit.
- You cannot play a CD-R/CD-RW that is not finalized.
- A prepress necessary for a recorded CD-R/CD-RW disc to be played on the audio CD player.



This label is located on the bottom of the chassis.



This label is located on the drive unit's internal chassis.

SAFETY-RELATED COMPONENT WARNING!

COMPONENTS IDENTIFIED BY MARK Δ OR DOTTED LINE WITH MARK Δ ON THE SCHEMATIC DIAGRAMS AND IN THE PARTS LIST ARE CRITICAL TO SAFE OPERATION. REPLACE THESE COMPONENTS WITH SONY PARTS WHOSE PART NUMBERS APPEAR AS SHOWN IN THIS MANUAL OR IN SUPPLEMENTS PUBLISHED BY SONY.

Network Information. Mesh Network Each line powered Install dimmer using 2 mounting screws furnished. Complete Rocker Color Conversion. The frame and rocker color of this device can be converted to Simply use one of the Using a small screwdriver Ensure that both The color conversion is complete. Rocker. Frame. Snap. Note AirGap switch should be used to remove Operation of this device is subject to the following two conditions NOTE This equipment has been tested and found to comply with the limits for a Class B digital device, pursuant to Part 15 of the FCC Rules. These limits are designed to provide reasonable protection against harmful interference in a residential installation. This equipment generates, However, there is no guarantee that interference will not occur in a particular installation. If this equipment does cause WARNING! Changes or modifications not expressly approved by Intermatic Inc. Wire Connector Installation. Connect wires per Single Pole, 3Way, or MultiWay. Application Diagrams as follows. Screw wire connectors on clockwise making sure no Secure each connector with electrical tape. Orange Wire Connector Combination Chart Maximum Load Per Dimmer for Multiple Devices. Strip wires to expose. Insert wires straight Secure each connector Single Pole Application. Hot. Black. Green. Incandescent. Lighting Load. Three or More Black. Green. Incandescent. Lighting Load. Red Ground. Jumper. Blue Two Devices. Hot. Red. Neutral. Single Blue Ground. MultiWay Application. Hot. Black. Green. Blue. Incandescent. Lighting Load. Red Wire Connector This warranty excludes and this is disclaimed liability for labor for The warranty does not apply to a damage caused by accident, abuse, mishandling, dropping, acts of God, or any Some states do not allow a limitation of damages, so the foregoing limitation may not apply to you. This warranty gives you specific legal rights and you may have other rights that vary from state to state. http://www.mitconline.in/www.mitconline.in/uploaded_files/fck/Image/deutz-f21912-service-manual.xml

SERVICE NOTES

NOTES ON HANDLING THE OPTICAL PICK-UP BLOCK OR BASE UNIT

The laser diode in the optical pick-up block may suffer electrostatic breakdown because of the potential difference generated by the charged electrostatic load, etc. on clothing and the human body. During repair, pay attention to electrostatic breakdown and also use the procedure in the printed matter which is included in the repair parts.

The flexible board is easily damaged and should be handled with care.

NOTES ON LASER DIODE EMISSION CHECK

The laser beam on this model is concentrated so as to be focused on the disc reflective surface by the objective lens in the optical pick-up block. Therefore, when checking the laser diode emission, observe from more than 30 cm away from the objective lens.

Notes on Chip Component Replacement

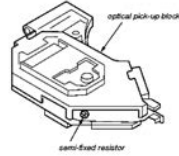
- Never reuse a disconnected chip component.
- Notice that the mirror side of a tantalum capacitor may be damaged by heat.

• CDX-CA600/CA600X: AEP, UK model

CAUTION

Use of controls or adjustments or performance of procedures other than those specified herein may result in hazardous radiation exposure.

If the optical pick-up block is defective, please replace the whole optical pick-up block.
Never turn the semi-fixed resistor located at the side of optical pick-up block.



TEST DISCS

This set can playback CD-R and CD-RW discs. The following test discs should be used to check the capability.

- CD-R test disc: TCD-MSFLMT (Part No. J-2501-063-1)
- CD-RW test disc: TCD-W082L (Part No. J-2501-063-2)

NOTES ON CD-R/CD-RW DISCS

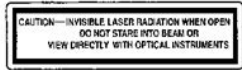
- You can play CD-Rs (recordable CD)/CD-RWs (rewritable CD) designed for audio use on this unit. Look for these marks to distinguish CD-R/CD-RWs for audio use.



- Some CD-R/CD-RWs (depending on the equipment used for its recording or the condition of the disc) may not play on this unit.
- You cannot play a CD-R/CD-RW that is not finalized.
- A pre-press necessary for a recorded CD-R/CD-RW disc to be played on the audio CD player.



This label is located on the bottom of the chassis.



This label is located on the drive unit's internal chassis.

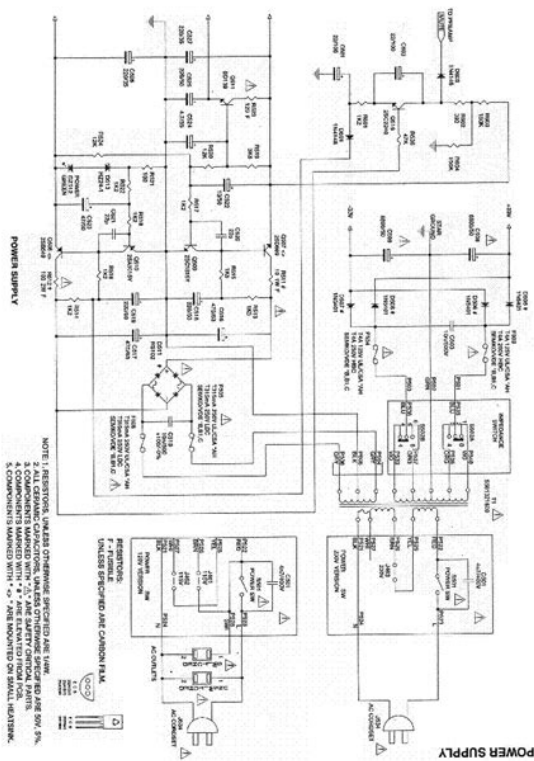
SAFETY-RELATED COMPONENT WARNING!

COMPONENTS IDENTIFIED BY MARK Δ OR DOTTED LINE WITH MARK Δ ON THE SCHEMATIC DIAGRAMS AND IN THE PARTS LIST ARE CRITICAL TO SAFE OPERATION. REPLACE THESE COMPONENTS WITH SONY PARTS WHOSE PART NUMBERS APPEAR AS SHOWN IN THIS MANUAL OR IN SUPPLEMENTS PUBLISHED BY SONY.

Please be sure to wrap the product securely when mailing to avoid shipping damage. This warranty is made by. Intermatic Incorporated, After Sales Service, 7777 Winn Road, Spring Grove, IL 600819698, 8156757000 www.intermatic.com PDF Version 1.4. Linearized No. Page Count 2. XMP Toolkit XMP toolkit 2.9.113, framework 1.6. About uuid72c6bbdb04174cb881a1b8a6a2ab7e00. Producer Acrobat Distiller 6.0 Windows. Creator Tool PScript5.dll Version 5.2. Modify Date 20060731 2241220500. Create Date 20060731 2241220500. Document ID uuidc3d675916a1e43c7afad35d48dc74a96. Title CA600.cdr. Creator. Author. To get the full experience on Sony.co.uk, please change your settings to allow JavaScript. Where can I buy genuine Sony products. Error NO DEV or No Device. Find information and receive instant notifications about your product. During repair, pay attention to electrostatic breakdown and also use the procedure in the printed matter which is included in the repair parts. The flexible board is easily damaged and should be handled with care. Therefore, when checking the laser diode emission, observe from more than 30 cm away from the objective lens. Never turn the semifixed resistor located at the side of optical pickup block. The following test discs should be used to check the capability J25020631 CDRW test disc TCDW082L Part No. See compatible TVs Support Support Support My Sony Community Stay informed with a Sony account to get news, offers and promotions. Sign up now Hi My Sony Sign in Favourites My Products Register a new product My Account Details Newsletter Preferences Community Favourites Sign out Favourites Search Sony Sony Sites Search Sony To get the full experience on Sony.ie, please change your settings to allow JavaScript. How do I reset my car stereo.

How to connect a Bluetooth device to your Car Audio System View All Find information and receive instant notifications about your product We recommend downloading and installing the latest version of one of the following browsers Our site is not optimized for your current browser. A newer version of your browser may be available Chrome Chrome Download the latest version IE Internet Explorer Download the latest version Firefox Firefox Download the latest version Apple Safari Download the latest version Proceed with current browser for now Proceed with current browser for now. These documentations are only intended for qualified technicians who are aware of the

respective safety regulations. Products names, logos, brands and other trademarks are the property of their respective trademark holders in the USA and other countries. Resetting the unit Caution alarm If you turn the ignition switch to the OFF Before operating the unit for the first time or position without removing the front panel, the after replacing the car battery, you must reset the caution alarm will beep for a few seconds. unit. If you connect an optional amplifier and do not Remove the front panel and press the RESET use tThe clock uses a 24hour digital indication. The minute indication flashWhen tuning in stations while driving, use Best 3 Press the number button 1 to 6 Tuning Memory to prevent accidents.FM stations with Radio Data System RDS service send inaudible digital information along Frequencies change automatically.For example, one of the following will be displayed upon receiving a station with RDS capability. 96.0If you preset stations with "AFON" the NewsThe bass and treble levels can be stored independently for each source. 1 Select the item you want to adjust by To decrease pressing SOUND repeatedly. If you need to mount the rotary commander on Each time you press SOUND, the item the right hand side of the steering column, you changes.

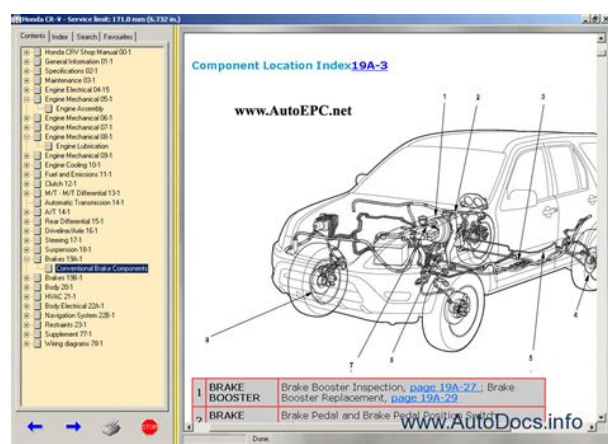


<http://www.bosport.be/newsletter/3m-c1060-manual>

Wo sich dieser befindet, entnehmen Sie bitte dem in der hinteren Umschlagseite dieser Bedienungsanleitung. Zur Installation und zum Anschluss. Per l'installazione e i collegamenti, fare riferimento al manuale di istruzioni per l'installazione e i collegamenti in dotazione. Ask your question here. Provide a clear and comprehensive description of the issue and your question. The more detail you provide for your issue and question, the easier it will be for other Sony XRCA600 owners to properly answer your question. Ask a question About the Sony XRCA600 This manual comes under the category Car Radios and has been rated by 1 people with an average of a 9.1. This manual is available in the following languages English, Dutch, German, French, Italian. Do you have a question about the Sony XRCA600 or do you need help. Ask your question here Sony XRCA600 specifications Brand The biggest difference between FM radio stations compared to AM radio stations is the sound

quality. When the volume exceeds 120 decibels, direct damage can even occur. The chance of hearing damage depends on the listening frequency and duration. Check that the red wire is connected to the contact power supply and the yellow wire to the constant power supply. Dust in hard-to-reach places is best removed with compressed air. ManualSearcher.com ensures that you will find the manual you are looking for in no time. Our database contains more than 1 million PDF manuals from more than 10,000 brands. Every day we add the latest manuals so that you will always find the product you are looking for. It's very simple just type the brand name and the type of product in the search bar and you can instantly view the manual of your choice online for free. ManualSearcher.com If you continue to use this site we will assume that you are happy with it. Read more Ok. Please choose a different delivery location. Our payment security system encrypts your information during transmission.

<http://columbuscigar.com/images/bravetti-oven-manuals.pdf>



We don't share your credit card details with thirdparty sellers, and we don't sell your information to others. Please try again. Please try again. Every Gehl owner should have the operators manual. Then you can start reading Kindle books on your smartphone, tablet, or computer no Kindle device required. Register a free business account To calculate the overall star rating and percentage breakdown by star, we don't use a simple average. Instead, our system considers things like how recent a review is and if the reviewer bought the item on Amazon. It also analyzes reviews to verify trustworthiness. Sign up now Hi My Sony Sign in Favourites My Products Register a new product My Account Details Newsletter Preferences Community Favourites Sign out Favourites Search Sony Sony Sites Search Sony To get the full experience on Sony.ee, please change your settings to allow JavaScript. How do I reset my car stereo. How to connect a Bluetooth device to your Car Audio System View All We recommend downloading and installing the latest version of one of the following browsers Our site is not optimized for your current browser. A newer version of your browser may be available Chrome Chrome Download the latest version IE Internet Explorer Download the latest version Firefox Firefox Download the latest version Apple Safari Download the latest version Proceed with current browser for now Proceed with current browser for now.

<http://guideartigas.com/images/bravetti- platinum-pro-convection-oven-manual.pdf>



<http://www.unidacardoso.com.br/wp-content/plugins/formcraft/file-upload/server/content/files/1626ef9c073a00---bosch-protankless-manual.pdf>

cokhixaydung.com/images/uploads/files/command-comswitch-7500-manual.pdf

<http://www.diamondsinthemaking.com/content/3m-c1060-manual>